



upwardor

Garage Doors Designed for Life

COMMERCIAL DOOR SYSTEMS

FALL 2023

Table Of Contents

3	THERMALEX[®] Overhead Door	7	TRACK & HARDWARE
4	SOLALITE[™] Translucent Aluminum Overhead Doors	8	POWRDOR
5	AL-SWD[™] Aluminum Slim Window Design	10	LIFTMASTER
6	AL-976[™] Aluminum Full View	12	POWAIRDOR[™] PowAirDor Pneumatic Door Operator

Commercial Door Systems



Commercial Line



THERMALEX®

SOLALITE™

AL-SWD™

AL-976™

POWAIRDOR™

Thermalex



The Complete Solution for Quality, Versatility and Energy Efficiency

The Thermalex® Series from Upwardor® is a line of sectional overhead doors specifically designed for commercial and industrial applications. They're built to last and their superior quality provides high levels of thermal efficiency making them the ideal choice for any sectional overhead door application.

TX380 MODEL

- R-Value 14.1 Single Continuous Hinge Reinforcement
- Thermal Break
- Windload
- 5 Year Ltd Warranty
- IECC Certified

TX450 MODEL

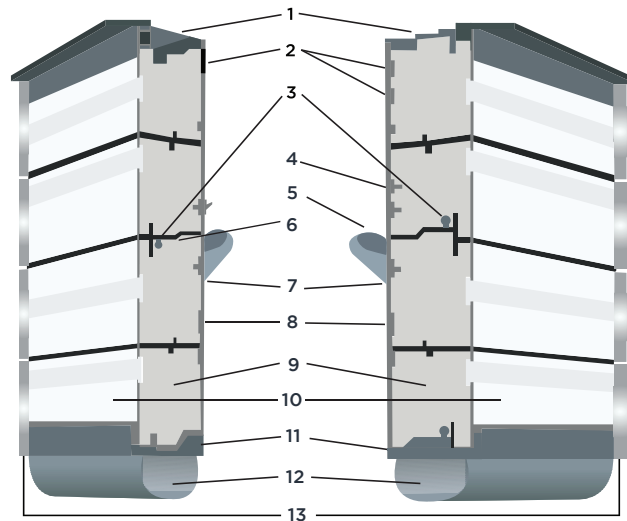
- R-Value 16.3 Double Continuous Hinge Reinforcement
- Thermal Break
- Windload
- 10 Year Ltd Warranty
- IECC Certified

TX500 MODEL

- R-Value 18.4 Double Continuous Hinge Reinforcement
- Thermal Break
- Windload
- 10 Year Ltd Warranty
- IECC Certified

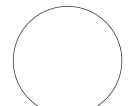
SERIES TX380

SERIES TX450/TX500



- (1) Low Temp top retainer/seal (Optional)
- (2) 20ga Continuous steel strip hinge reinforcement
- (3) Dual Contact Weatherseal
- (4) Full Hinge Application TX450/500
- (5) Tongue and Groove Joint
- (6) Shiplap Joint
- (7) Thermal break chemically sealed and bonded
- (8) Interior Steel Stucco Embossed
- (9) Polyurethane Core
- (10) Exterior Steel Stucco Embossed
- (11) PVC Bottom Retainer
- (12) Low temp Vinyl astragal
- (13) Endstile w/ weatherseal

Colour Choices:



Bright White



New Brown



Black



Steel Grey

For details on warranties, window & doors options visit upwardor.com



The Only Door With a Complete Thermal Break and Continuous Hinge

The Solalite door is an exceptional example of innovation and engineering. This door was created for customers who require a product which can withstand demanding, high-cycle applications and is impact, corrosion and moisture-resistant. The Solalite's sleek and contemporary appearance blends with current architectural trends.

ALL WEATHER

Performs in the most challenging weather conditions including cold weather climates.

TOUGH

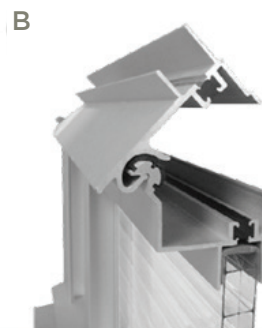
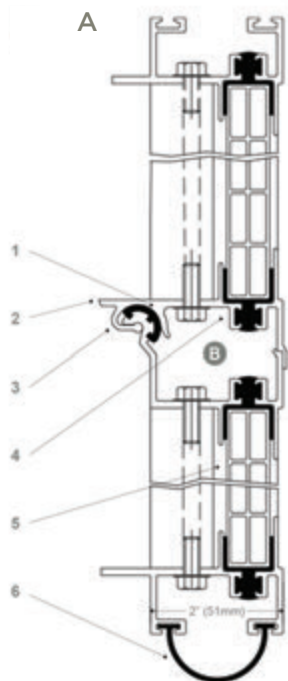
Resists impact, corrosion and moisture infiltration.

VERSATILE

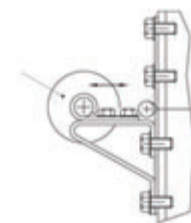
A smart choice for high-volume applications such as car washes, automotive dealerships, agricultural applications, municipal facilities, underground parking structures and more.

WET ENVIRONMENTS

Optional corrosion-resistant hardware package provides additional protection against harsh environments.



- (1) PVC bushing
- (2) Built-in integral strut
- (3) Continuous hinge extrusion
- (4) Thermally broken frame (optional)
- (5) 5/8" (16mm) five wall polycarbonate clear, light bronze or dark bronze
- (6) Low temp vinyl bottom astragal



Adjustable Galvanized Hinge

Multiple colour and window options available:



5-year limited warranty on door finish



1-year limited warranty on workmanship & materials

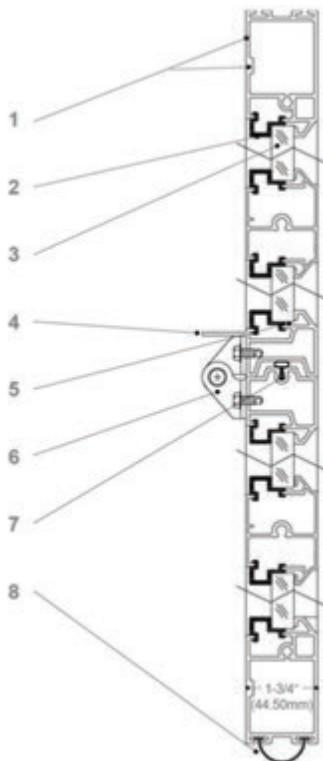


Standard clear anodized finish

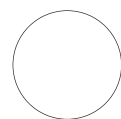
Actual door colour may vary from brochure

Sleek, Modern Design, High-Quality, Long-Lasting Performance

Ideal for automotive dealerships and similar applications, the AL-SWD outperforms when effective visibility and light transmission are required. A high-quality, distinctive design provides an affordable alternative to a high-speed roll-up door. The AL-SWD is manufactured using the highest-grade aluminum extrusions, thereby reducing stress on all moving parts of the door for longevity in a high cycle environment.



- (1) .070" (1.78mm) typical, .115" (2.92mm) at attachments
- (2) Glazing molding
- (3) Glazing
- (4) Reinforcing strut (optional under 16' [4.88m])
- (5) Soft vinyl glazing bead
- (6) Centre hinge
- (7) Weather seal
- (8) Low temp. vinyl astragal



Bright White



New Brown



Black



Standard clear anodized finish

Actual door colour may vary from brochure



Multiple colour and window options available:

CONSTRUCTION

1-3/4" (44.50mm) thickness manufactured from extruded 6063-T6 Aluminum.

WINDOW OPTIONS

Various glazing options available; single glass, plexi, polycarbonate or stucco panel.

LARGE DOORS

Available up to 24' (7.32m) wide.

COST SAVINGS

Similar-looking roll-up versions cost up to 3X more and come with more parts prone to breakdowns, leading to increased downtime and higher financial expenses.



5-year limited warranty
on door finish

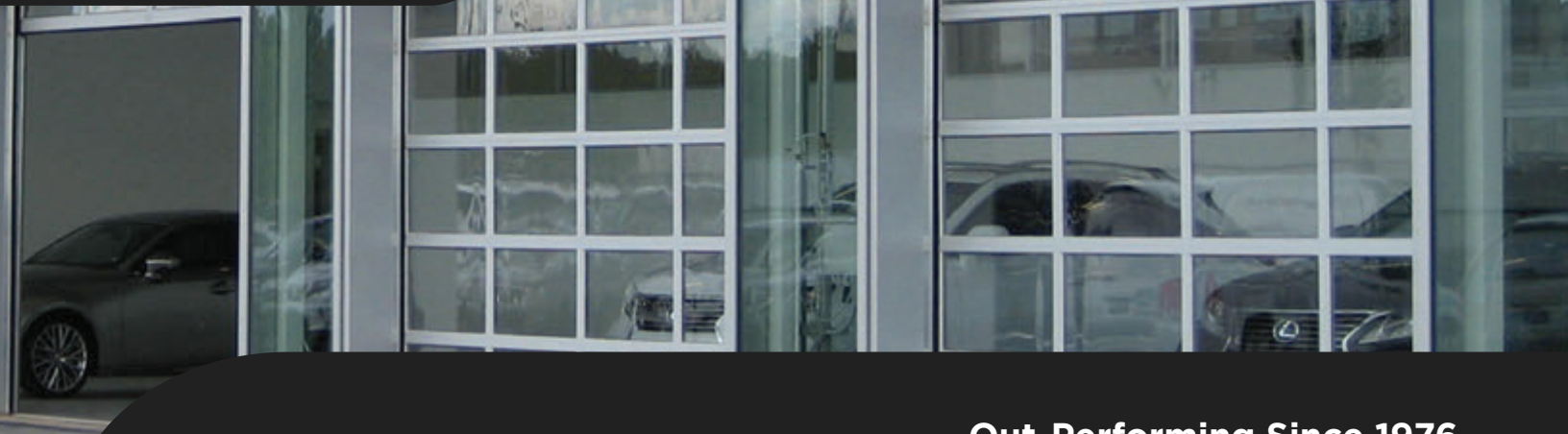


1-year limited warranty
on workmanship & materials



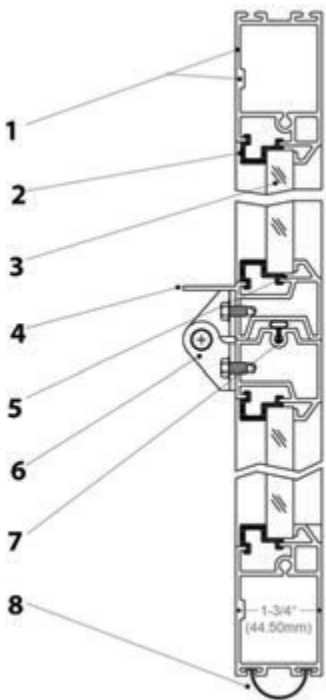
AL-976™

Aluminum Full View

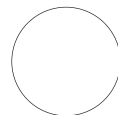


Out-Performing Since 1976

Manufactured since 1976, the AL-976 aluminum door offers a variety of options where superior strength, maximum visibility and exceptional light transmission are required. Its unique and durable design allows customized configurations for openings up to 24' (7.32m) and complements the exterior of any facility.



- (1) .070" (1.78mm) typical, Multiple Colour Selections
- .115" (2.92mm) at attachments
- (2) Glazing molding
- (3) Glazing
- (4) Reinforcing strut (optional under 16' [4.88m])
- (5) Soft vinyl glazing bead
- (6) Centre hinge
- (7) Weather seal
- (8) Low temp. vinyl astragal



Bright White



New Brown



Black



Standard clear anodized finish

Actual door colour may vary from brochure



Multiple colour and window options available:



Available with various glazing options: single, insulated, tinted, tempered or specialty.



Solid bottom options: Stucco panel, anti-dent panel or Thermalex® panel to match.



5-year limited warranty
on door finish



1-year limited warranty
on workmanship & materials



Track and Hardware

In addition to manufacturing door panels, Upwardor's manufacturing facility also houses a full range of roll forming stamping machinery and equipment for fabrication of hardware and accessories (including tracks, angle, brackets, hinges, and end caps). All components are manufactured to industrial-grade specifications. Of all the components in our doors, 90% are manufactured by Upwardor. This allows us to maintain competitive pricing, supply the product on short lead-times and supply all of our dealers with bulk quantities or replacement parts.

Key Features & Benefits:

- Heavy-duty industrial material is used in the manufacturing process
- In-house manufacturing capabilities minimize lead times
- One-stop-shopping makes ordering easy and allows dealers to enjoy freight economies
- Commercial hardware is specifically designed for Upwardor products but, in most cases, it can also be used with other manufacturers' components



Specific Items Available in Bulk:

- 50.8 mm (2") and 76.2 mm (3") Track: vertical & horizontal — raw or assembled.
- Track bracket and reverse-angle for vertical track
- Horizontal angle
- 50.8 mm (2") 18-gauge and 16-gauge struts
- 16-gauge and 20-gauge end stiles
- Nystroll Rollers
- Hinges, rollers, head plates, spring assemblies, etc.
- Top brackets, shelf brackets
- Side locks

For details on all our Track and Hardware visit upwardor.com for our full catalogue



POWRDOR

POWRDOR is designed for installations where the needs of cost effectiveness and high-performance meet. These Direct Drive DC Operators are loaded with features and programmable options, are reliable, and are easy to install, operate and maintain.

General features include: Patented Built-In Battery Backup, Force Monitoring, Soft Start/Soft Stop, Programmable Speeds, Door Balance Check, Programmable Closing Timer, Universal Single Phase Input, Reliable Position Encoder, Easy Installation, Separated Voltages, High Performance Motor Options, Simple Setup, Dual Upper Limits, Cycle Counter, Large Backlit LCD Display, Programmable Dynamic Breaking Options, and complies with UL 325 Requirements.

Exceptional Standard Features

- Built-in Battery Backup
- Adjustable Force Monitoring on Open and Close Cycles
- Programmable Speeds up to 24'/s
- Soft Start/Soft Stop
- Integrated Door Balance Check
- 2 Year, 1 Million-Cycle Warranty
- Patented Technology - U.S Patent No. 11105138



upwardor

To view more of our POWRDOR visit upwardor.com.



POWRDOR

POWRDOR Operators with Battery Backup by iControls set the standard for DC Shaft-Mount Operator Performance. Easy to install, set up and troubleshoot, these high-cycle operators are loaded with features, remarkably reliable, and very simple to use.

Selection Guide

POWRDOR 500 (Part # PDC500)

1/2HP DC Motor with Size 50 Gearbox, 30:1 Ratio for 1" Keyed Solid Shaft. For Balanced Doors up to 200 Square Feet. Battery Backup 2 x 12V, 5A

POWRDOR 750-100 (Part # PDC750-100)

3/4HP DC Motor with Size 50 Gearbox, 30:1 Ratio for 1" Keyed Solid Shaft. For Balanced Doors up to 350 Square Feet. Battery Backup: 2 x 12V, 7A

POWRDOR 750-125 (Part # PDC750-120)

3/4HP DC Motor with Size 75 Gearbox, 40:1 Ratio for 1.25" Keyed Solid Shaft. For Balanced Doors up to 350 Square Feet. Battery Backup: 2 x 12V, 7A

POWRDOR 1000 (Part # PDC1000)

1.0HP DC Motor with Size 75 Gearbox, 40:1 Ratio for 1.25" Keyed Solid Shaft. For Balanced Doors up to 500 Square Feet. Battery Backup: 2 x 12V, 9A

POWRDOR 2000 (Part # PDC2000)

2.0HP DC Motor with Size 75 Gearbox, 40:1 Ratio for 1.25" Keyed Solid Shaft. For Balanced Doors up to 500 Square Feet. Battery Backup: 3 x 12V, 9A





LiftMaster

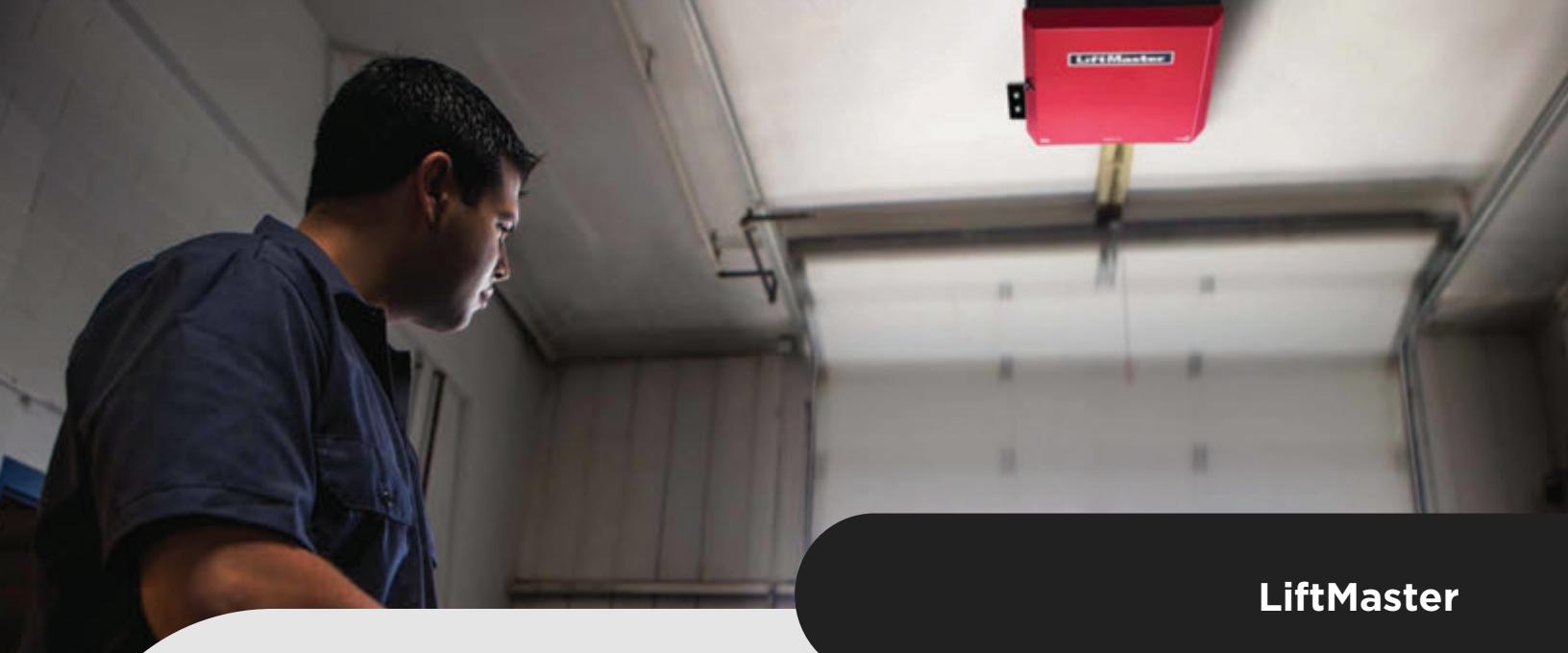
Medium Duty, Heavy Duty, Industrial Duty Operators

LiftMaster's® Custom Solutions are integrated packages, assuring seamless integration of a motorized Commercial Door System. The combination of advanced technology, features and accessories provided by LiftMaster simplifies the process of determining the best solution to meet your specific automatic door operator application.

Key Features & Benefits:

- Business Safety and Security
- Security+®
- Meets UL 325 Safety Standards
- Commercial Safety Sensors
- Protect people and vehicles with safety sensors and accessories that stop the door from closing on obstructions.
- Timer to Close: Integrated timer-to-close programmable from 5 to 60 seconds in 5-second increments. Allows for timed automatic door closure after the door reaches the full open position.





LiftMaster

As the leader in residential and commercial access, LiftMaster designs and delivers the safest, smartest door and gate solutions to keep everyone moving forward. From the products we create to how they're installed and used. Our professional installers make sure that you have a reliable product that works perfectly—letting you live your life hassle-free.

No matter the type of door you have, LiftMaster commercial door operators will keep it in operation safely and efficiently so your business can keep running smoothly.

LiftMaster commercial door operators are highly customizable, so they can be modified to excel in any environment. Check out our business solutions to see how we can help business run like a well-oiled machine.

Commercial Accessories

Single Button Control

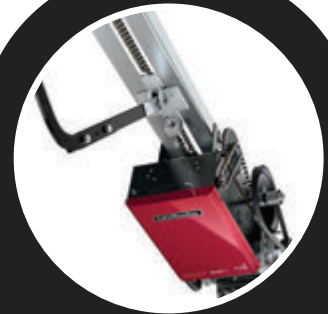
- Provides an additional input for single-button control functionality. Required for installation of any external radio receiver.

Auxilliary Limit Switches

- Provide additional limit switches with dry form C contacts at the open and closed door positions to control lights, heaters and dock levelers.

Interlock Switch

- Disables the operator control circuit when door is locked, preventing damage to the door and operator.



The Only Door With a Complete Thermal Break and Continuous Hinge

The PowAirDor™ has only one moving part and is virtually maintenance-free. Created specifically for ultra-high-cycle, high-corrosion applications and adaptable to any door, the PowAirDor product has been proven to last for decades, while out-performing other manufacturers' operators.

NO CABLE JUMPING!

Drives the door not the shaft

LOW MAINTENANCE

Only 1 moving part

HIGH SPEED!

Adjustable up to 45" per second

HIGH CYCLE

& corrosion applications

ALL CLIMATES

Works in cold & hot climates



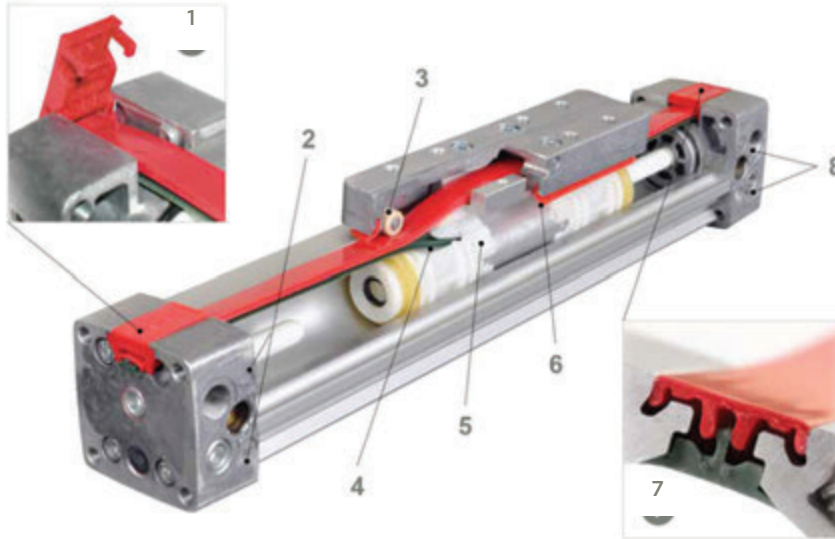
PA 17 series

Control panel paired with a rodless pneumatic cylinder which has only one moving part and directly connects to the door without chains, belts, pulleys or sprockets. This allows continuous, flawless operation without having to worry about cables coming off the door or a multitude of service parts with the potential to fail.

Easy Programming, easier to program than a standard jack-shaft garage door. Simple easy to use LCD screen with the option of changing the use of a sensor from safety to activation without opening the panel. Operates on 24v and easy valve adjustable speed controls. Wide assortment of Safeties and Activations.



TURN ANY SECTIONAL DOOR INTO A HIGH SPEED DOOR!



- (1) Patented retainer requires no tools for replacement
- (2) Port identification clearly identifies carriage direction
- (3) Roller closer mechanism reduces friction in the carriage assembly providing smoother movement
- (4) Advanced strip divider improves running performance
- (5) Integral wear ring provides additional support and increased load carrying capacity
- (6) Improved wiper seal design prevents dust ingress ensuring smoother operation and increased cylinder life
- (7) Patented sealing system uses an interlocking seal to prevent dust ingress increasing cylinder life
- (8) Multiple porting

CAR TRUCK WASH APPLICATIONS



Car Wash PA15 series

Control panel paired with a rodless pneumatic cylinder which has only one moving part and directly connects to the door without chains, belts, pulleys or sprockets. This allows continuous, flawless operation without having to worry about cables coming off the door or a multitude of service parts with the potential to fail.

RELIABLE

With only one moving part and simple controls designed around most car wash requirements, the PA15 series pneumatic door operator will give you peace of mind in your investment.

PROVEN PERFORMANCE

Since 1990 POWAIRDOR™ has been setting the bar for quality across the industry. Safe and efficient travel speeds of up to 42" per second decreases the time for a vehicle wash cycle while also increasing your savings on heating cost.

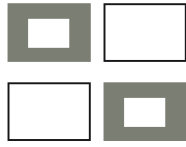
SAFE

Every control panel features IP67 through beam safety photo eyes mounted at the door opening with an integrated "Fail Safe" circuit to insure the utmost safety, all of the time. Cover mounted push buttons open and close the door pneumatically allowing manual operation even when there's no power.





To view more of our gallery visit [upwardor.com](https://www.upwardor.com).



upwardor

Garage Doors Designed for Life

1-800-667-3367

T: 905-876-3667

F: 905-876-3533

sales@upwardor.com

